

Blastrite (Pty) Ltd

P.O. Box 5515
 Cape Town
 South Africa
 Tel. : +27 21 417 1700
 Fax. : +27 21 425 2341
 E-mail : sales@blastrite.com

Commercial Information

SURFACE PREPARATION INNOVATION

Version Date: January 2011

Title: Quick Stop Deadman Handle

QUICK STOP DEADMAN HANDLE

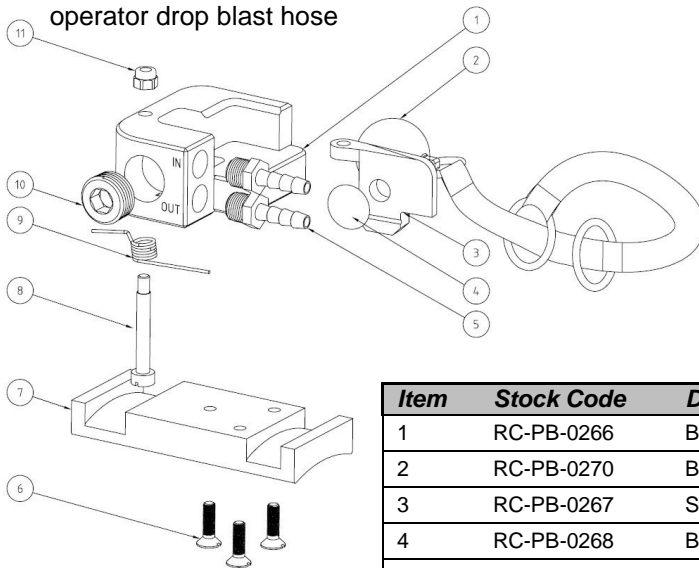
The Quick Stop Pneumatic Control Handle is designed as a basic deadman device, which allows an operator to operate a blast nozzle, without the need to hold down a lever or handle.

How does a deadman handle work?

A simple ball and strap arrangement are provided to act as safety cut off, in the event that the operator drops the blast hose. One end of the strap is attached to the operator's wrist, while the other end is attached to a nylon ball. During operation, the nylon ball is inserted into the handle body, and is used to hold the valve actuator in place. If the operator drops the hose, the wrist strap then pulls the ball from the handle, releasing the valve actuator, and thus de-activating the blast pot.

Benefits

- Decreased operator fatigue as handle allows continuous operation
- Increased operator safety in operating blast equipment
- Reduces loss of materials should operator drop blast hose



Item	Stock Code	Description	Qty
1	RC-PB-0266	Body	1
2	RC-PB-0270	Ball With Strap	1
3	RC-PB-0267	Safety Lock	1
4	RC-PB-0268	Bumper Button	1
5	PF-PB-0237	Hose Barb 1/8" NPT Male x 1/8"NB	2
6	FN-PB-0268	Machine Screw M4 x 15mm	3
7	RC-PB-0269	Base	1
8	RC-PB-0271	Shoulder Screw x 29mm	1
9	RC-PB-0065	Safety Lock Spring	1
10	PF-0321-00	Socket Head Plug 3/8" NPT	1
11	FN-PB-0141	Lock Nut - M4	1

SURFACE PREPARATION INNOVATION

Portable/Stationary Abrasive Blast Equipment - Nozzles - Nozzle Holders - Hoses - Couplings - Lighting
 Wetblast Equipment - High Pressure Waterjetting - Personal Protection - Blast Cabinets - Dehumidifiers
 Blastrooms Vacuum Blast/Recovery Equipment - Portable/Stationary Wheelblast Equipment
 Pipe Cleaning/Coating - Air Treatment - Mobile Dust Collectors - Media - Paintspray Equipment
 Plural Component - Measuring Instruments